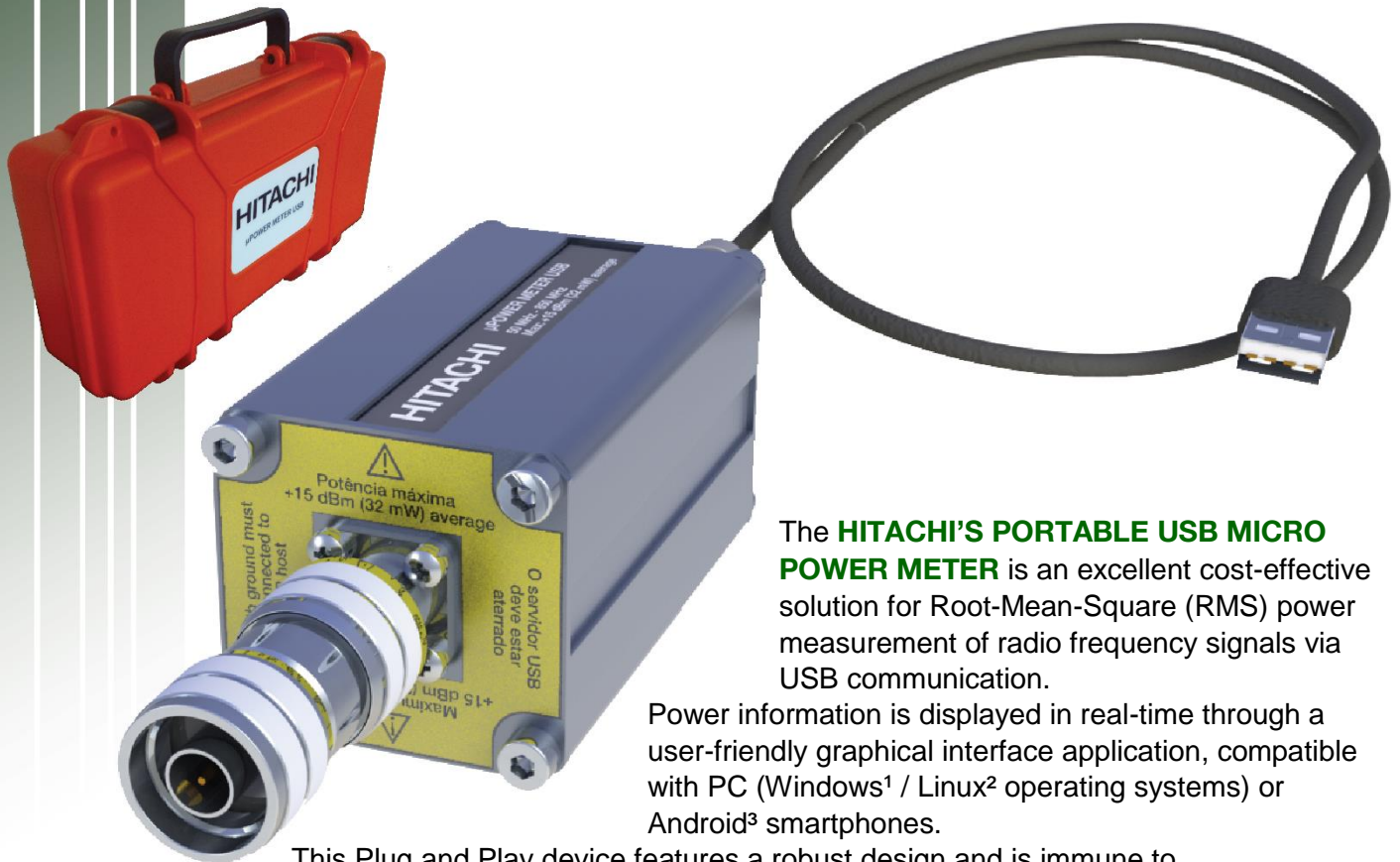


PM9001u

Portable USB Micro Power Meter

50 to 850 MHz



The **HITACHI'S PORTABLE USB MICRO POWER METER** is an excellent cost-effective solution for Root-Mean-Square (RMS) power measurement of radio frequency signals via USB communication.

Power information is displayed in real-time through a user-friendly graphical interface application, compatible with PC (Windows¹ / Linux² operating systems) or Android³ smartphones.

This Plug and Play device features a robust design and is immune to Electromagnetic Interference (EMI). It comes with an USB-A connection cable for PCs and an USB On-the-Go (OTG) adapter for smartphones.

General features

Robust device, designed to meet field operation needs;

Covers the frequency range of VHF DTV, UHF DTV, and FM Radios;

Does not require an external power source. Powered through USB bus of PC or smartphones;

Real-time measurements with a maximum acquisition rate of 10 samples per second;

Automatic temperature compensation. Maintains accuracy across the measurement frequency range despite variations in ambient temperature.

Included:

Case for transport and storage;

Applications for installation on PCs and Android³ smartphones;

USB-A female to Micro USB male adapter;

USB-A female to USB-C male adapter;

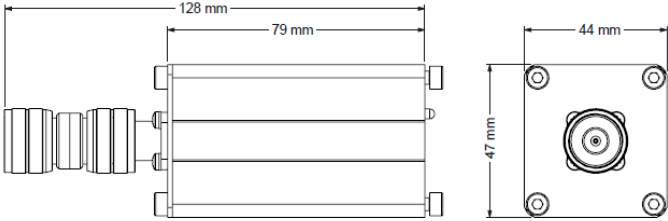
Digital manual.

Technical Features

INPUT	
Frequency range	50 MHz to 850 MHz
Input power range (dynamic range)	40 dB (-25 dBm to +15 dBm)
Input connector	N – male 50 Ω (adapter/ saver)
Input return loss	≤ -20 dB

OPERATIONAL FEATURES	
Overall relative precision	0.1 dB (≈ 2.5% without averaging)
Overall relative accuracy	0.5 dB (≈ 10% of the true measurement value)
Measurement rate	10 samples per second
Power via USB bus	+5 Vdc ± 0.15 Vdc; 70 mA to 100mA
USB interface	Male USB-A Micro USB (adapter) USB-C (adapter)

ENVIRONMENTAL OPERATING FEATURES	
Ambient temperature	0 °C to +50 °C
Relative humidity	0 to 95% non-condensing

DIMENSIONS	
	
Weight	250 g
Case dimensions (Length x Width x Height)	300 x 176 x 78 mm

Notes:

- ¹ Windows is a trademark of Microsoft Corporation.
- ² Linux is a trademark of Linus Torvalds.
- ³ Android is a trademark of Google LLC.

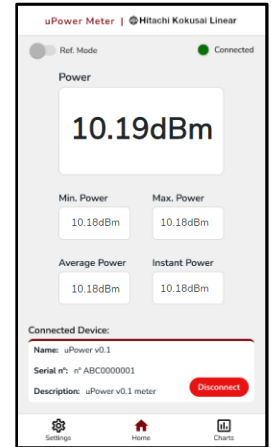
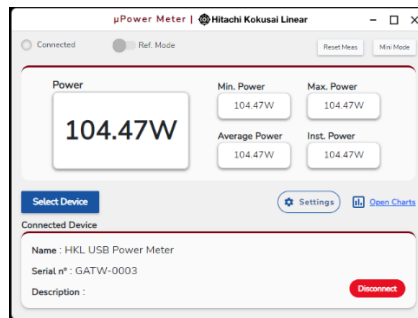
Hitachi Kokusai Linear Equipamentos Eletrônicos S/A.

Avenida Frederico de Paula Cunha, 1001 – Maristela
 Santa Rita do Sapucaí – MG – Brazil – CEP: 37540-000
 Telephone: +55(35) 3473-3473
 www.hitachi-linear.com.br

©Copyright 2023 Hitachi Kokusai Linear All rights reserved. The products presented here are a trademark of Hitachi Linear Kokusai Equipamentos Eletrônicos S/A. Product specifications are subject to change without notice. The images presented here are for illustrative purposes only.

APP COMPATIBILITY

Versões Windows ¹ 10 or later (PC)
 Linux ² LTS 21 or later (PC)
 Android ³ version 10 or later (Smartphone)



OPTIONAL ACCESSORIES

- Directional Coupler**
 - 1 sample Forward Power - N-Female 50Ω;
 - 1 sample Reflected Power - N-Female 50Ω;
 - FM or VHF or UHF range;
 - Fixed connection standards:
 - EIA 7/8" with Flange or without Flange;
 - Male or Female DIN 7/16"
 - Male or Female N
- Directional Coupler EIA 1-5/8"**
 - 2 samples Forward Power - N-Female 50Ω;
 - 2 samples Reflected Power - N-Female 50Ω;
 - With Flange or without Flange;
 - FM or VHF or UHF range
- Directional Coupler EIA 3-1/8"**
 - 2 samples Forward Power - N-Female 50Ω;
 - 2 samples Reflected Power - N-Female 50Ω;
 - With Flange or Without Flange;
 - FM or VHF or UHF Range
- Adapters**
 - N-Male – SMA-Female (cable)
 - N-Male – N-Male (spare)